

Mortuary and Patology Accessories.

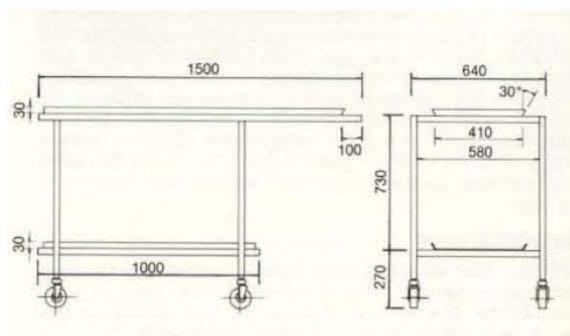


CTB – 2

Technical features:

CTB 2 model, 18/8 AISI 304 stainless steel supporting frame. The cart tops provided with tracks for **No. 2 sliding stretchers** (the stretchers is not included).

No.4 rotating wheels for easy moving, with pedal break.



Dimension:

mm. 1200 x 550 x 950 (W,D,H, without stretcher).