

## TES – 1 & TES – 2



### General Technical features:

18/8 AISI 304 completely construction.

Sloping table with perimeter corners.

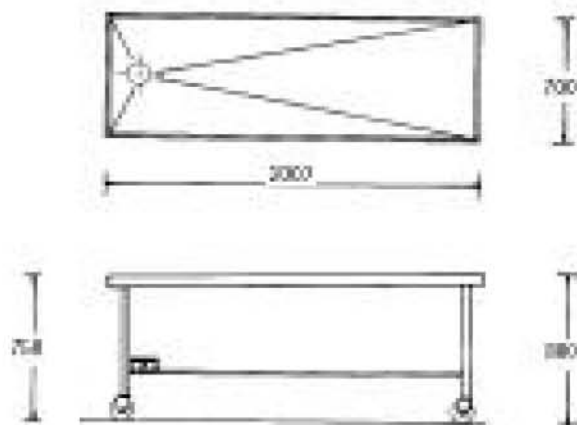
Sewage discharge drain with removable collector.

Display table dimensions:

**Width: mm. 2000**

**Length: mm. 700**

**Height: mm. 700 (approx.)**



The table are support on No. 4 stainless steel legs with adjustable plastic feet at the end, for perfect stability level surface **(ONLY FOR TES – 1)**

No. 4 rotating wheels with pedal brake **(ONLY FOR TES – 2)**